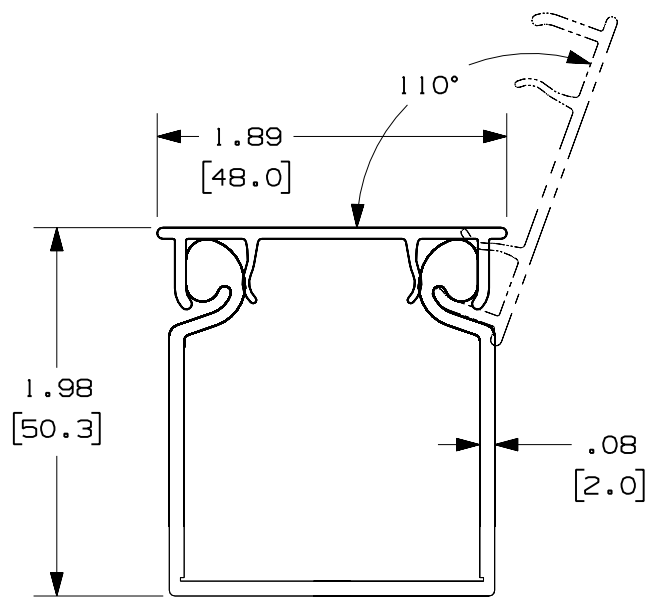
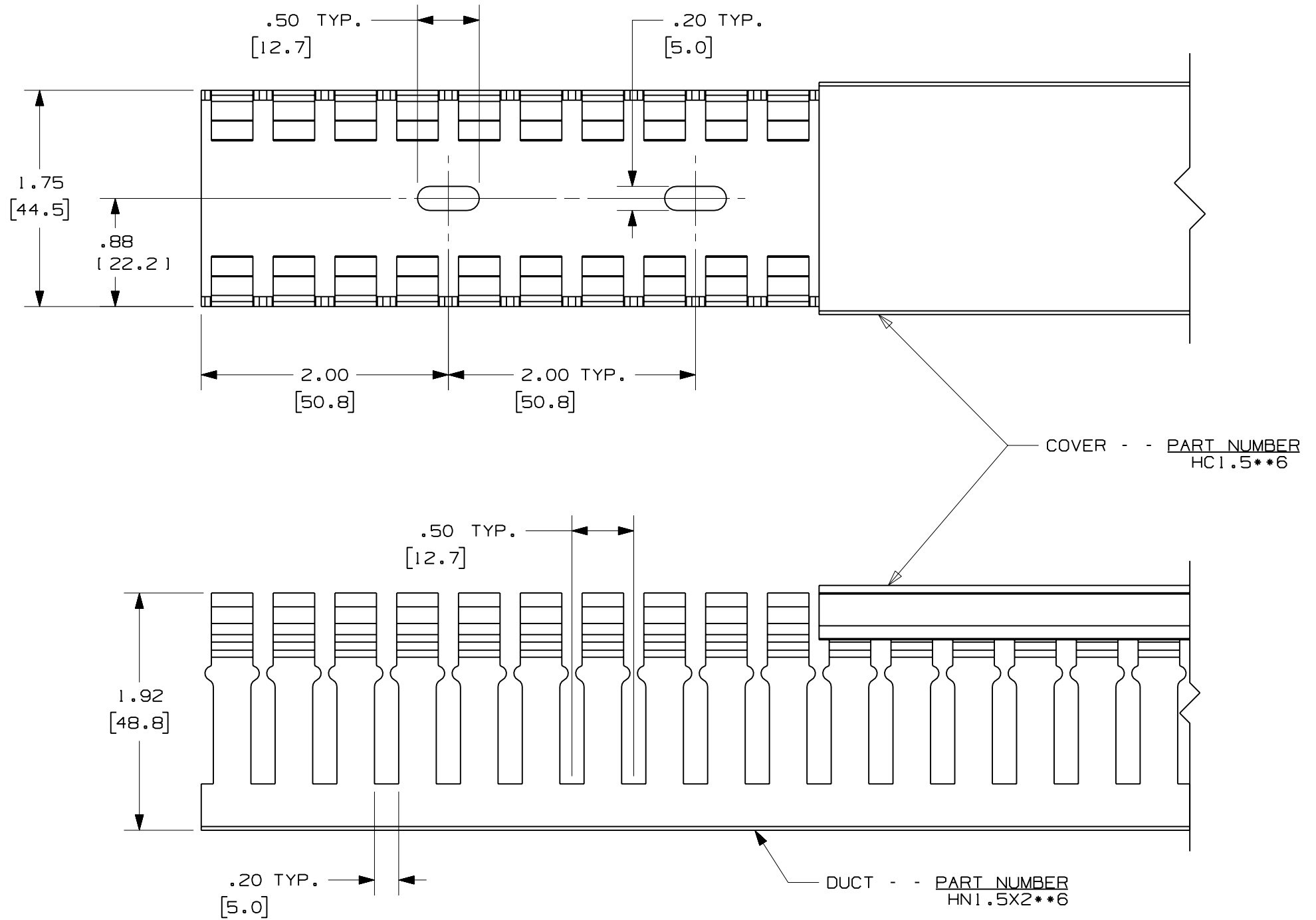


THIS COPY IS PROVIDED ON A RESTRICTED BASIS AND IS NOT TO BE USED IN ANY WAY DETRIMENTAL TO THE INTERESTS OF PANDUIT CORP.



NOTES:
 1. ALL DIMENSIONS ARE REFERENCE ONLY.
 2. DIMENSIONS IN PARENTHESES ARE METRIC.
 3. THE ** INDICATES COLOR.
 4. DUCT AND COVER ARE AVAILABLE IN 6 FT (1828.8) LENGTHS.

				CAD FILENAME/LAYERS		D11000UU_DC/00A	
				PANDUIT CORP TINLEY PARK, ILLINOIS			
				WIRING DUCT- TYPE HN DUCT WITH COVER			
				1.5 X 2			
				MARKETING DRAWING			
				DRAWN BY	JCST	MAT'L:	PVC
				DATE	11/19/07	SCALE	FULL
				CHK'D	MKBE	DRAWING NO.	36897-1237
				DESCRIPTION		DWG	B
REV	DATE	BY	CHK			SIZE	
R	11/19/07	JCST	MKBE	DRAWING RELEASED			